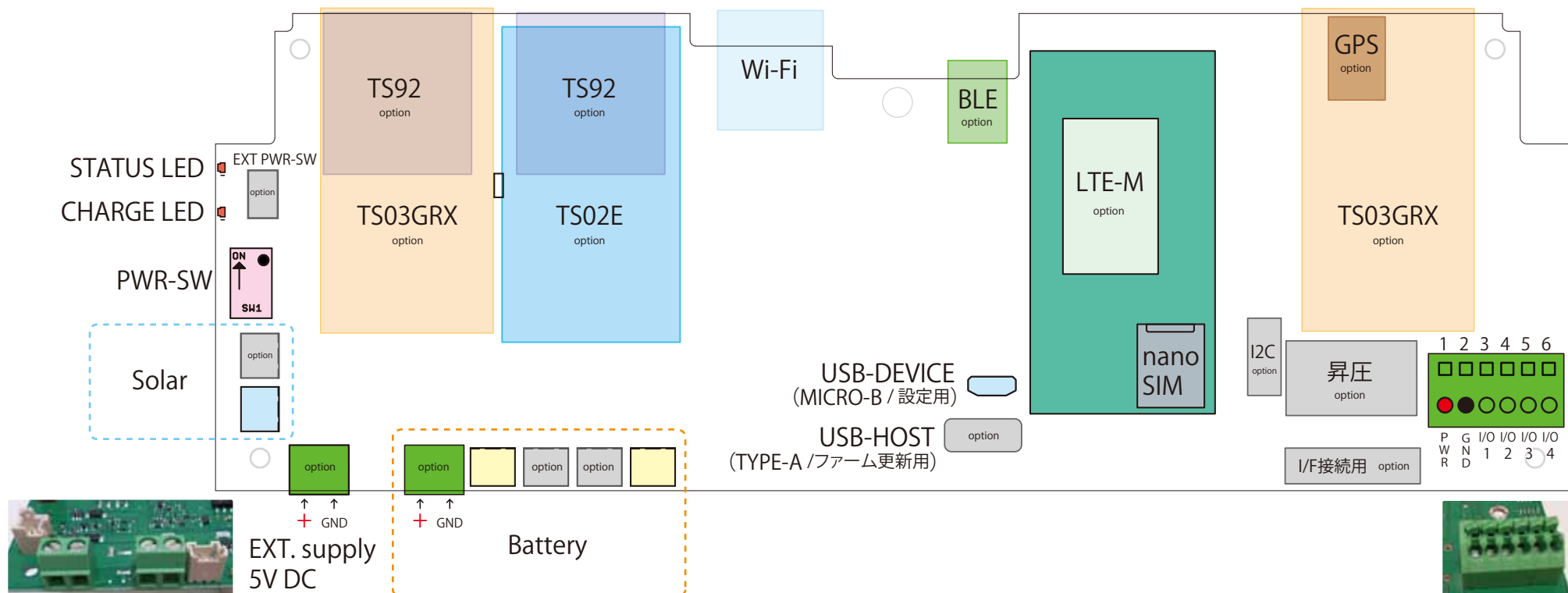
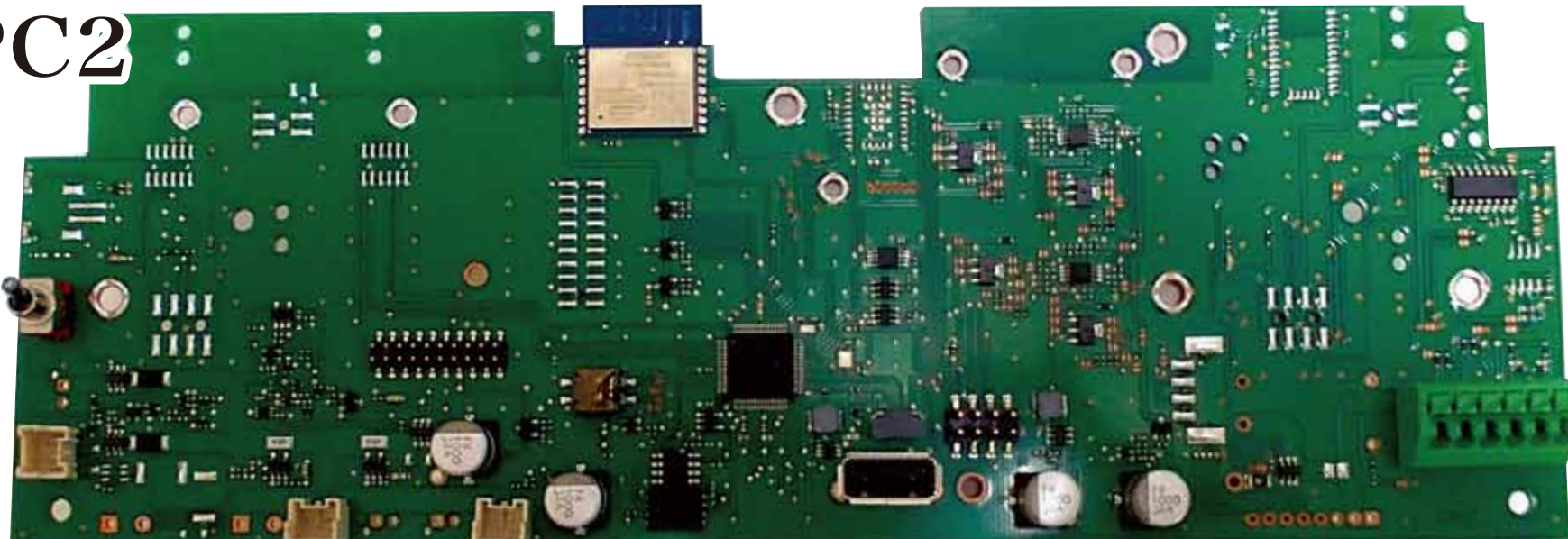


基板
概要

Solar energy, wireless networks and sensor solutions

SRPC2



* AWG26~16



* AWG24~16